

# 332D Controller Cabinet



*Shown with  
optional drawers*

## Cabinets

Controllers

Signals

Signs

Software

Specialty

## Overview

McCain's 332D Controller Cabinet is a double wide 332 type cabinet designed to meet the growing demands of modern traffic control by providing extra space in a second full 19" EIA (Electronics Industry Alliance) rack for additional equipment such as UPS, CCTV, and ITS applications. Two sets of double doors on the 332D cabinet make it a natural choice when a standard 170/2070 type cabinet is required with extra space to accommodate other equipment in the same cabinet in addition to standard assemblies and components.

## Benefits

- Compatible with 170/2070 assemblies and components
- Standard assemblies assure interchangeability between manufacturers
- Large cabinet size and a second 19" EIA rack provides additional space for UPS, CCTV, and ITS applications
- Double doors (front and back) provide easy access to the cabinet's large interior

## Product Description

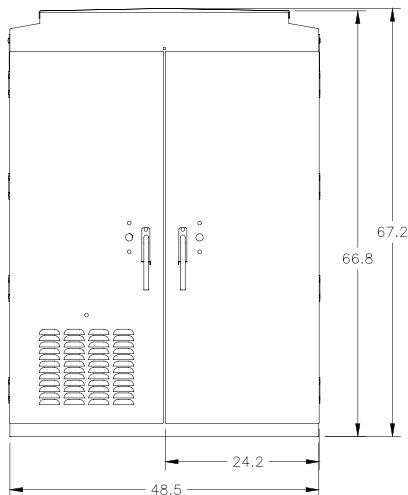
The McCain 332D Controller Cabinet is a double wide cabinet designed to house the 170 or 2070 controllers in addition to a wide range of auxiliary equipment. This robust cabinet is constructed from marine-grade aluminum and is accessed via two front doors and two back doors making it durable and easily maintained. The cabinet comes equipped with industry standard features such as two 19-inch EIA racks, two 14-position input files, and a 12-position output file.

The standard cabinet offers an eight-phase, four-pedestrian operation with two right turn overlaps. Its 36 detector channel capability can be utilized with two-channel or four-channel detector modules.

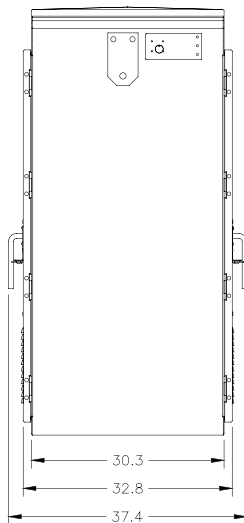
The cabinet is secured via three-point latching systems on all doors with your choice of locks providing secure installations and easy access for maintenance. The 332D also has the additional capability for accepting padlocks.

# 332D Controller Cabinet

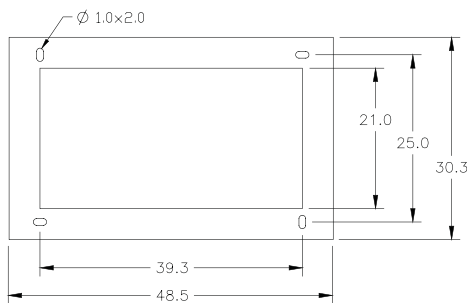
Front



Side



Base



Dimensions rounded to the nearest 0.1"

## Standard Features

- 8-phase, 4-pedestrian operation (2 right turn overlaps available)
- 36 detector channel capability, (3 per turn, 6 per through movement)
- 2-channel or 4-channel industry standard detection modules
- Railroad preemption inputs (2)
- Emergency vehicle preemption inputs (4)
- DC isolation inputs for pedestrian push buttons and special functions
- Programmable "Yellow/Red" or "All Red" flashes through the use of flash plugs
- 210 Signal Monitor slot
- Fluorescent cabinet lights with door switches

## Assemblies

- 14-position input files (2)
- 12-position output file
- Model PDA-2 combined power supply and Power Distribution Assembly
- Flash transfer relay sockets (4)
- Dual-circuit flasher positions (2)
- Input panel
- Service panel
- Police panel with signal "On/Off" and "Auto/Flash" switches

## General Specifications

Dimensions:	67" H x 49" W x 30" D (rounded to the nearest inch)
Material:	5052-H32 aluminum, 0.125" thick
Finishes:	Natural, powder coat (standard, anti-graffiti, and custom colors), anodized
Access:	Front doors (2), back doors (2), all full size
Latching System:	3-point, choice of Corbin or Best locks
Handles:	3/4" round, stainless steel, with padlock feature
Door Stops:	90° (±10°), each door, top 90° and 180° (±10°), each door, bottom
Rack Assembly:	Removable 19" EIA racks (2)
Ventilation:	Thermostatically controlled 100 CFM fans (4) Louvered air intake in doors, pleated filters
Mounting:	Base mounted
Shipping Weight:	435 lbs without plug-ins or controller(s)

## Options

- 3/4" x 16" anchor bolts for mounting (4)
- Sunshields
- Drawer assembly(s)

To learn more about  
McCain's Integrated Traffic  
Solutions, please contact  
[info@mccain-inc.com](mailto:info@mccain-inc.com) or  
call (760) 727-8100



2365 OAK RIDGE WAY // VISTA, CALIFORNIA 92081 // USA // [WWW.MCCAIN-INC.COM](http://WWW.MCCAIN-INC.COM)

© 2009 McCain Inc. Updated 07/28/09. McCain reserves the right to change product specifications without notice.  
For the most up-to-date information, please contact McCain.