

TC30

PRESENCE SENSOR

FOR VEHICLE CONTROL



- INPUT TO VEHICLE CLASSIFIER AND CONTROLLERS
- AUTOMATIC GATE AND TOLL BOOTH APPLICATIONS
- LOADING DOCK DETECTION APPLICATIONS
- ADJUSTABLE RANGE
(up to 22')
- EXTERNAL ADJUSTMENT PANEL
- EXTERNAL INDICATOR LEDS
(eases drive test confirmation)
- SINGLE LANE COVERAGE
- INSTALLS EASILY ABOVE GROUND
- FAIL-SAFE MODE (RECALL) IN EVENT OF POWER LOSS

The TC30 is an economical way to detect the continuous presence of an object within its detection pattern, stationary or in motion.

The TC30 is ideal for detecting vehicle presence in a right hand turn lane from a horizontal (side-fire) mount or in an individual lane from an overhead mount. It is also used in automatic gates and other parking control applications, as well as in loading dock applications.

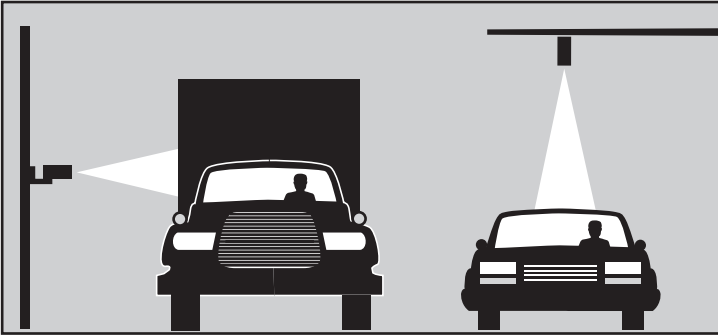
The TC30 is easily mounted above ground. It requires no pavement cuts and can be installed with minimal or no traffic disruptions. Once installed, adjustments can be made via an external range control and external detection LED.



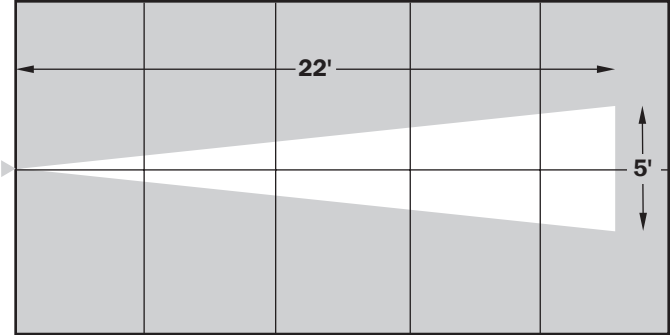
ENGINEERED FOR MOTION

TECHNICAL DATA

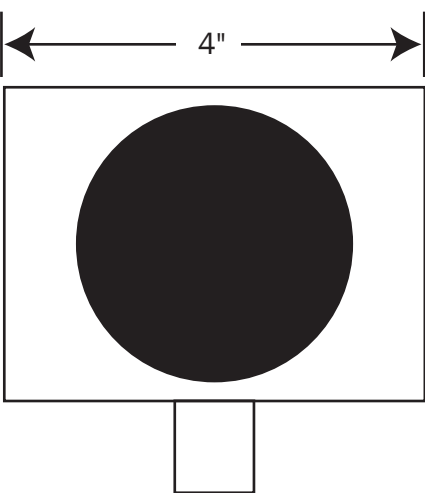
MOUNTING DIAGRAM



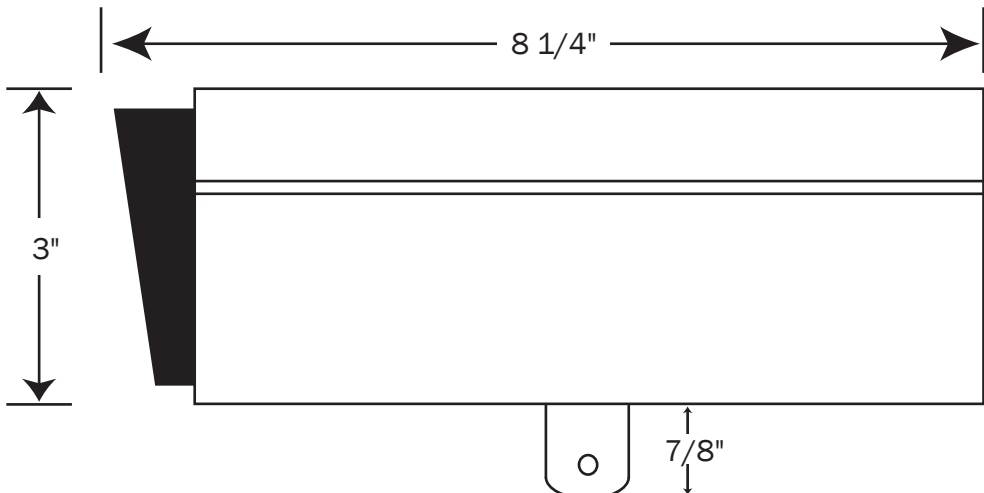
COVERAGE PATTERN



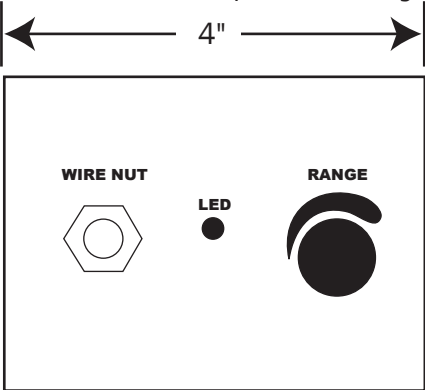
FRONT VIEW



SIDE VIEW



REAR VIEW (External Adjustment Panel)



SPECIFICATIONS

Model Number.....	TC30
Operating Frequency.....	49.7 kHz
Detection Method.....	Ultrasonic Ranging
Detection Pattern.....	Adjustable
Detection Mode.....	Presence
Detection Hold-Time.....	Continuous upon sensing
Response Time.....	0.165 seconds
Initial Current Draw.....	875 mA max. (21 W max. @ 24V)
Operating Current Draw.....	150 mA (0.15 Amps)
Power Consumption.....	3.6 Watts max. @ 24V
Relay Output.....	Form C, rated at 3 Amps
Sampling Rate.....	10 Hz. (1 pulse/100 msec.)
Relay Hold Time.....	0.25 to 10 seconds
Power Requirements.....	6 - 12 V DC, or 12 - 24V AC or DC
Wiring Requirements.....	Four conductor (2 power, 2 relay)
Mounting Bracket.....	Predrilled & slotted (band or lag-bolt mount)
Enclosure/Finish.....	Gray Powder Coated Aluminum
Operating Temperature.....	-35 °F to 165 °F (-35 °C to 75 °C)
Physical Dimensions.....	9"L x 4"W x 4.25"H
	23 cm L x 10.2 cm W x 10.8 cm H
Shipping Weight.....	Approx. 3 lbs.

INSTALLATION

- THERE ARE TWO MOUNTING POSITIONS:
- 1) OVERHEAD—The TC30 must be located directly over the area to be detected.
 - 2) HORIZONTAL (SIDE-FIRE)—The TC30 must be located so it is directly perpendicular to the area to be detected.

FACTORY LIMITED WARRANTY

Refer to installation instructions for details regarding our limited one year warranty.



8701 Castle Park Drive • Indianapolis, Indiana 46256
 Phone: (317) 842-2545 • Fax: (317) 849-3387